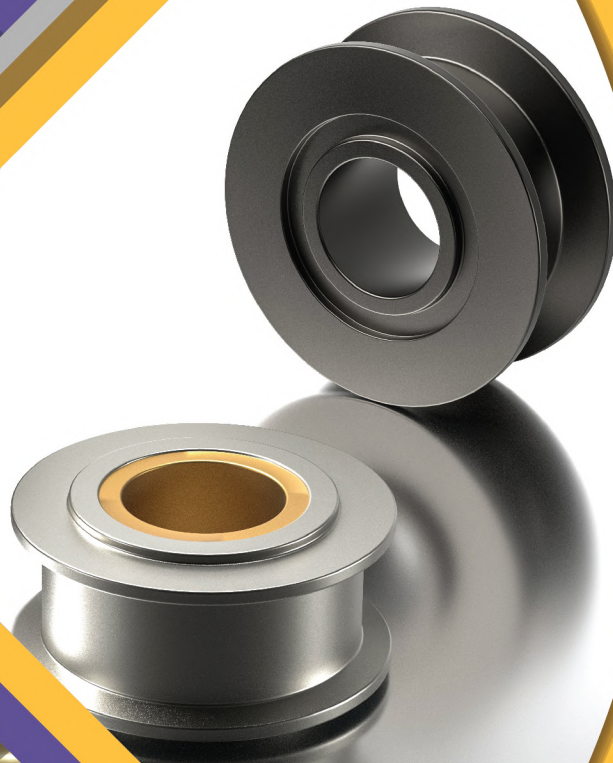


SHEAVES FOR LEAF CHAINS

Superior Support for Lifting



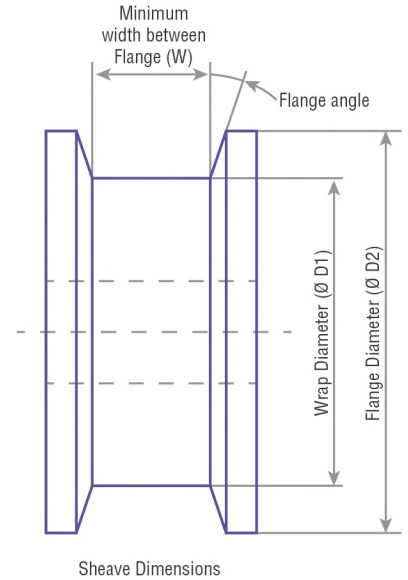
From the house of

DIAMOND[®]
High Performance Chains

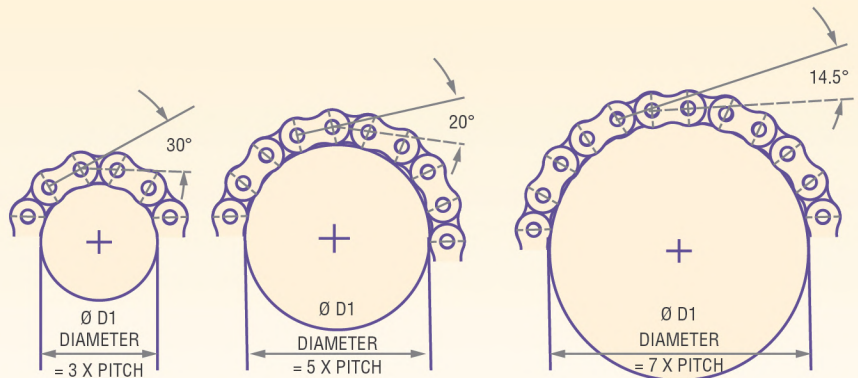


Leaf chain Sheaves design

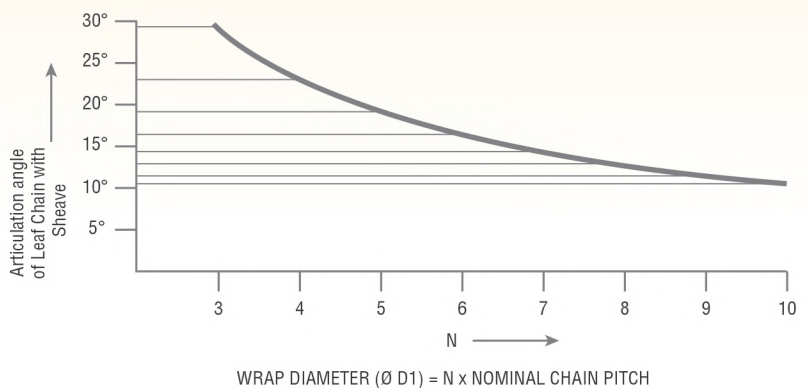
Dimensions recommended for leaf chain sheaves.
 The wrap diameter should be a minimum of 5 times of nominal chain pitch.
 Minimum wrap diameter (Ø D1) = 5 x nominal chain pitch



Larger wrap diameter will ensure longer life of the leaf chain. By increasing the wrap diameter of the sheave, for example, the angle of articulation will decrease, leading to lesser wear.



So, a sheave wrap diameter with 4 x nominal chain pitch will reduce leaf chain life by 25%, while a sheave wrap diameter with 7 x nominal chain pitch will increase leaf chain life by 33%.



The wrap surface of the sheave needs to be hard, and slightly more than the leaf chain hardness, so that the leaf chain plates will wear and not the sheave. If space is an issue, adjustments can be made to the flange diameter and the flange angle - however, it is recommended that the flange is always above the centre line of leaf chain.

SHEAVES FOR LEAF CHAINS



ASME CHAIN NUMBER	TIDC DRAWING NO	PITCH	MINIMUM SHEAVE DIAMETER (Ø D1)	MINIMUM WIDTH BETWEEN FLANGE (W)	MINIMUM FLANGE DIAMETER (Ø D2)
BL 422	BL 0822	12.70	63.50	11.655	75.57
BL 423	BL 0823	12.70	63.50	13.86	75.57
BL 434	BL 0834	12.70	63.50	18.27	75.57
BL 444	BL 0844	12.70	63.50	20.58	75.57
BL 446	BL 0846	12.70	63.50	24.99	75.57
BL 466	BL 0866	12.70	63.50	29.40	75.57
BL 522	BL 1022	15.875	79.375	13.545	94.465
BL 523	BL 1023	15.875	79.375	16.17	94.465
BL 534	BL 1034	15.875	79.375	21.42	94.465
BL 544	BL 1044	15.875	79.375	23.94	94.465
BL 546	BL 1046	15.875	79.375	29.085	94.465
BL 566	BL 1066	15.875	79.375	34.335	94.465
BL 622	BL 1222	19.05	95.25	18.27	113.36
BL 623	BL 1223	19.05	95.25	21.84	113.36
BL 634	BL 1234	19.05	95.25	28.875	113.36
BL 644	BL 1244	19.05	95.25	32.34	113.36
BL 646	BL 1246	19.05	95.25	39.375	113.36
BL 666	BL 1266	19.05	95.25	46.4415	113.36
BL 822	BL 1622	25.40	127.00	22.47	151.13
BL 823	BL 1623	25.40	127.00	26.775	151.13
BL 834	BL 1634	25.40	127.00	35.49	151.13
BL 844	BL 1644	25.40	127.00	39.795	151.13
BL 846	BL 1646	25.40	127.00	48.51	151.13
BL 866	BL 1666	25.40	127.00	57.225	151.13
BL 1022	BL 2022	31.75	158.75	26.67	188.93
BL 1023	BL 2023	31.75	158.75	31.92	188.93
BL 1034	BL 2034	31.75	158.75	42.315	188.93
BL 1044	BL 2044	31.75	158.75	47.46	188.93
BL 1046	BL 2046	31.75	158.75	57.855	188.93
BL 1066	BL 2066	31.75	158.75	68.25	188.93
BL 1222	BL 2422	38.10	190.50	31.185	226.70
BL 1223	BL 2423	38.10	190.50	37.275	226.70
BL 1234	BL 2434	38.10	190.50	49.455	226.70
BL 1244	BL 2444	38.10	190.50	55.545	226.70
BL 1246	BL 2446	38.10	190.50	67.83	226.70
BL 1266	BL 2466	38.10	190.50	80.01	226.70
BL 1422	BL 2822	44.45	222.25	35.28	264.49
BL 1423	BL 2823	44.45	222.25	42.21	264.49
BL 1434	BL 2834	44.45	222.25	56.07	264.49
BL 1444	BL 2844	44.45	222.25	63.00	264.49
BL 1446	BL 2846	44.45	222.25	76.86	264.49
BL 1466	BL 2866	44.45	222.25	90.72	264.49
BL 1622	BL 3222	50.80	254.00	42.00	302.26
BL 1623	BL 3223	50.80	254.00	48.93	302.26
BL 1634	BL 3234	50.80	254.00	64.89	302.26
BL 1644	BL 3244	50.80	254.00	72.765	302.26
BL 1646	BL 3246	50.80	254.00	88.725	302.26
BL 1666	BL 3266	50.80	254.00	105.00	302.26
BL 2022	BL 4022	63.50	317.50	54.39	378.38
BL 2023	BL 4023	63.50	317.50	64.785	378.38
BL 2034	BL 4034	63.50	317.50	85.785	378.38
BL 2044	BL 4044	63.50	317.50	96.18	378.38
BL 2046	BL 4046	63.50	317.50	117.075	378.38
BL 2066	BL 4066	63.50	317.50	137.97	378.38



PRECI 
— PRECISION REDEFINED

TIDC INDIA

Post Bag No: 11, CTH Road,
Ambattur, Chennai - 600 053.

+91 - 44 - 42235509

industrialchains@tii.murugappa.com

www.tidcindia.in