



ANCHOR BOLTS & CLEVISES

“For the Perfect Connection”



ANCHOR BOLTS & CLEVISSES

Chain Anchor bolts and Clevises are made from high-tensile alloy steel according to the required breaking strength and individual application stresses.

Most normal applications are simple and standard product can be used, but occasionally unusual stresses such as tension, compressions, shear and bending effect will require a special design.

Square and rectangle chain blocks are manufactured from high-grade alloy steel that is at least as strong as the chain they are fitted to. They can be designed with holes or shear face and in materials suitable for welding.

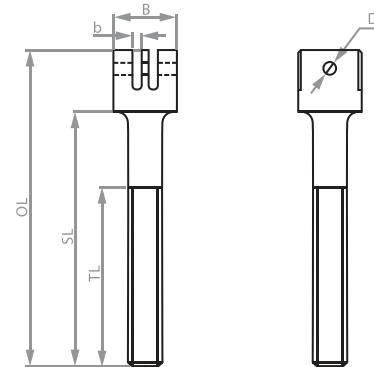
All TIDC India chain anchors and clevises are completely compatible and safety critical. Our advanced manufacturing facility offers high quality standard special chain anchors, clevises and pins on short lead times.

We achieve unparalleled quality and efficiency by using the very latest technology in CNC turning, machining centres, special purpose automation, palletizing, innovative fixturing and process engineering.

Our computer-aided design, material specification, application engineering capability and dedicated manufacturing facility allow us to maintain our position as industry leader in the specialist field of safety critical chain anchors and clevises.

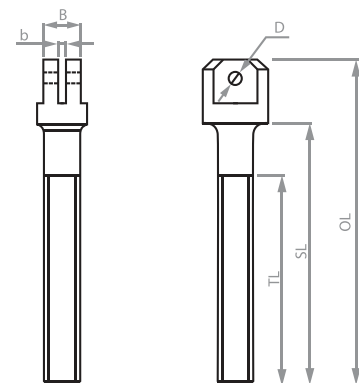
Our extensive experience of design criteria and application environments allows us to provide our customers with a premium service which can range from offering simple advice and supply to designing and manufacturing entire systems.

Type - A



- Connects to inner links / male end
- Clevis pin effective length (EL) dimension must be greater than dimension B

Type - B



- This type is most versatile
- Connects to outer links / female end via clevis pin
- Connects to inner links / male end via connecting link



Made of AISI 4140
Steel



Heat Treated for Strength
and Fatigue



Available with various
anti-corrosion treatments