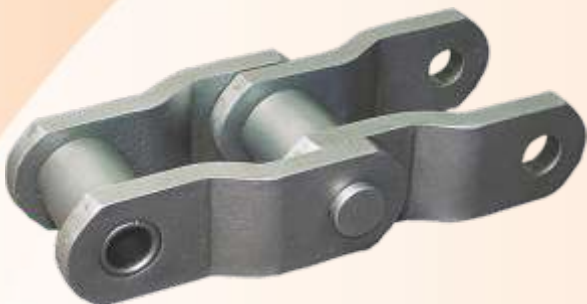




*Aiding motion in every industry*



## **CHAINS FOR STEEL INDUSTRY**



**ENGINEERING  
CLASS CHAINS**

**TIDC INDIA**

**THE COMPLETE  
CHAIN COMPANY**





### **TIDC India – The complete chain Company**

Diamond India chains are designed and manufactured by TIDC India, a part of the prestigious Murugappa Group, one of the most trusted and respected business groups in India. A Group that is renowned for its belief in ethical business practices, innovative processes and people development.

Over six decades, TIDC has built chains for virtually every sector of industry. From tiller chains, agricultural chains, leaf chains and conveyor chains to industrial power drive chains, motorcycle drive chains and engine mechanism chains, our expertise is moving men and material across every sphere of life. And today, we possess the capability to meet any requirements in chains, anywhere in the world.

### **Our Strength : R & D**

At TIDC, we owe our success to continuous improvement. Innovating products that suit customer needs better, makes us to constantly improve. Every choice with regards to size, material or method is in direct response to the needs of application engineers in the industries we serve.



TIDC engineers use Auto CAD, Solid works and Finite Element Analysis for cutting edge solution in the design of the chains, and the manufacturing technology process is plotted out with equal care. The resulting products are comprehensively tested at our labs, before they eventually find their way to a Diamond Customer.

### **A Trusted Brand in Conveyor Chains**

The company has enormous strengths in conveyor chains, making chains for various applications in different Industries.

### **TIDC Means chains with more strength**

Strict and complete adherence to consistent quality and regular technology up gradation have ensured TIDC chains exceed all laid down parameters

- High strength – higher breaking load. TIDC chains are tested for higher breaking load values than the international standard, endowing them with extra strength you can count on.
- Tough construction – to withstand shock load conditions common in rugged applications. TIDC has the edge in raw materials, design as well as manufacturing processes that enables us to build chains that are more rugged.
- High tensile strength – certain applications call for chains with better tensile strength, and TIDC works this feature into their products at every stage of production.
- Attachment – regular and made to order attachments are offered based on client needs.

### **Quality, the TIES THAT Bind Everything**

Total Quality Management is a governing principle at TIDC India and we have our own quality system in place called 'TIES' (T.I. Excellence System)

encompassing all aspects of functioning. Beginning with the design phase, purchase and inspection of raw materials, vendor management, work instructions and going on to cover all processes in manufacturing, packing and inspections before delivery.

TIES also provides for stringent procedures when it comes to traceability of products and reviews of customer feedback.

The TIES system functions by nurturing quality as an integral part in the entire value chain, and is now completely internalized by the company.

### **The Best Certificates are Those that comes from our clients**

We are one of the world's few companies to be certified for API 7F specifications by the American petroleum Institute for oil field chains.

Our manufacturing processes right from product design to testing of finished chains conform to ISO 9000:2000 standards and are certified by RWTUV of Germany. Our Motorcycle Engine Mechanism Chain and Fine Blanking Divisions are certified to TS 16949 standards by underwriters Laboratories, USA.

But what gives us the most pride is, the approval and repeat orders that comes to us from our clients all over India & across the world.

### **Product Leadership**

Customers turn to TIDC for products that are designed for high performance, expanded equipment life and enhanced productivity. If you need chains that operate reliably in challenging environments, TIDC is the right source.

We apply our decades of research, engineering, manufacturing and service knowhow for every application. Because of our own performance

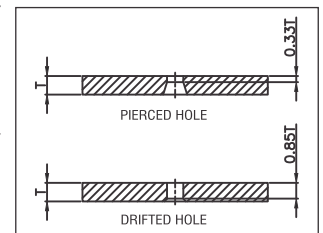
advantages, large OEMs turn to TIDC for products and support. This same OEM quality is offered to our after market products. That is why you will find our chains used in every tough applications.

TIDC engineers are committed to understanding your process and solve unique application problems. We work with you to optimize chain performance in the above stated products.

We use this spirit of collaboration to develop customized power transmission solutions.

### **Great Fatigue and Tensile Strength**

The plates in each and every TIDC chain undergo piercing operation to extremely accurate specifications. Followed by Shaving or Drifting to increase bearing area, guaranteeing greater dynamic strength and fatigue life.



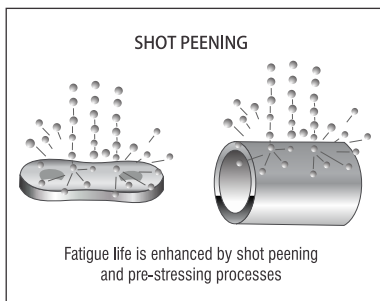
### **Longer Wear Life**

Roundness of the bushes and heat treatment of pins and bushes impact wear life. At TIDC bushes and pins are produced using numerically controlled machines which produces them with greater accuracy.

### **Heat Treatment**



Heat treatment is our core competency at TIDC. Our team has rich experience in heat treatment to maximize strength and life in every chain elements: pins, bushing, rollers and link plates. We deploy our specialist skills in continuous hardening operations for martensitic heat treatment. Under a completely automated atmosphere we work with high, medium and low carbon steels, alloy steels, austenitic and martensitic stainless steels etc. Other treatments we offer based on customer specifications are:



**Shot peening for Maximum Load Capability/Shot Peening**

Critical applications call for chains with high working load capability, plates and rollers are shot peened after heat treatment thereby increasing fatigue life. It is done by constantly bombarding the component with hard metal pellets at high speeds.

**Corrosion Resistance**

TIDC offers plating options, for corrosion resistance and enhanced product life – chromised pins have been proven to improve performance dramatically.

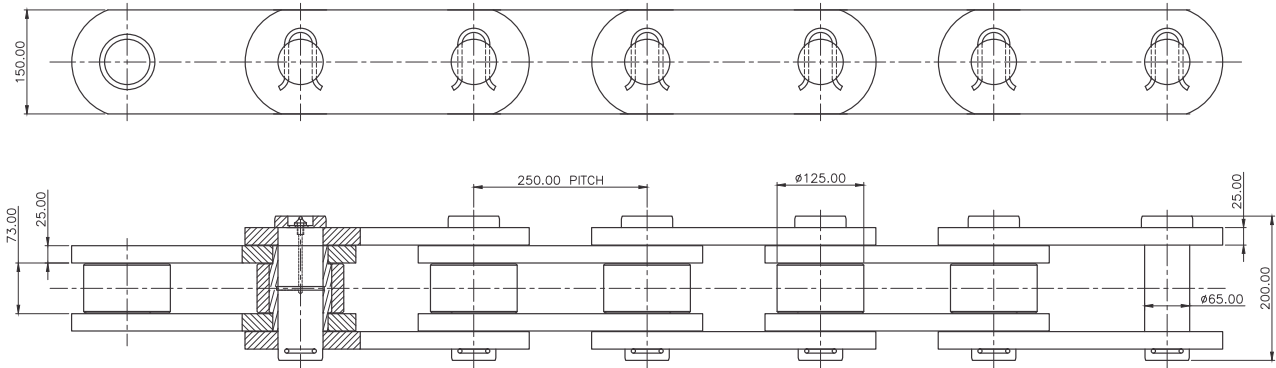


**Testing**

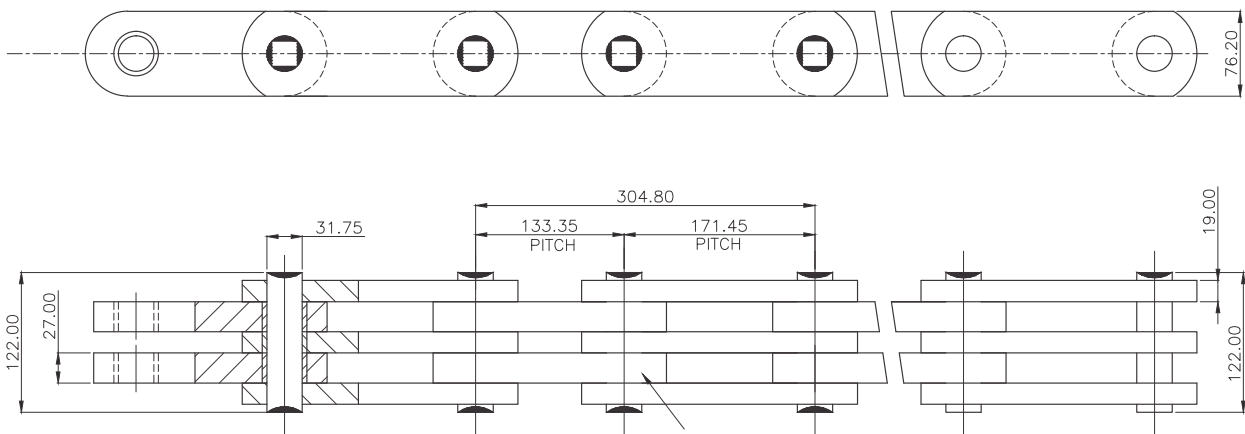
TIDC has immense capabilities for testing to validate the quality of their products. Every batch goes through stringent testing protocol, which covers fatigue tests, corrosion tests and much more. TIDC conveyor chains are built to exceed international standards, and this performance level is meticulously tested before the products reach you.



## DRAW BENCH CHAINS

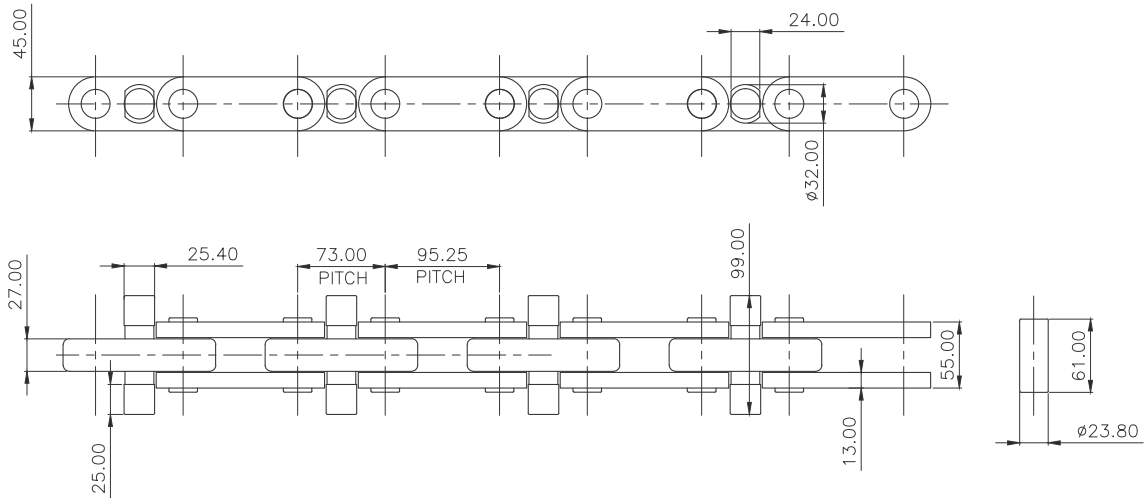


TIDC MODEL: S\_25000\_106\_DB  
 MINIMUM BREAKING LOAD: 130 TONS

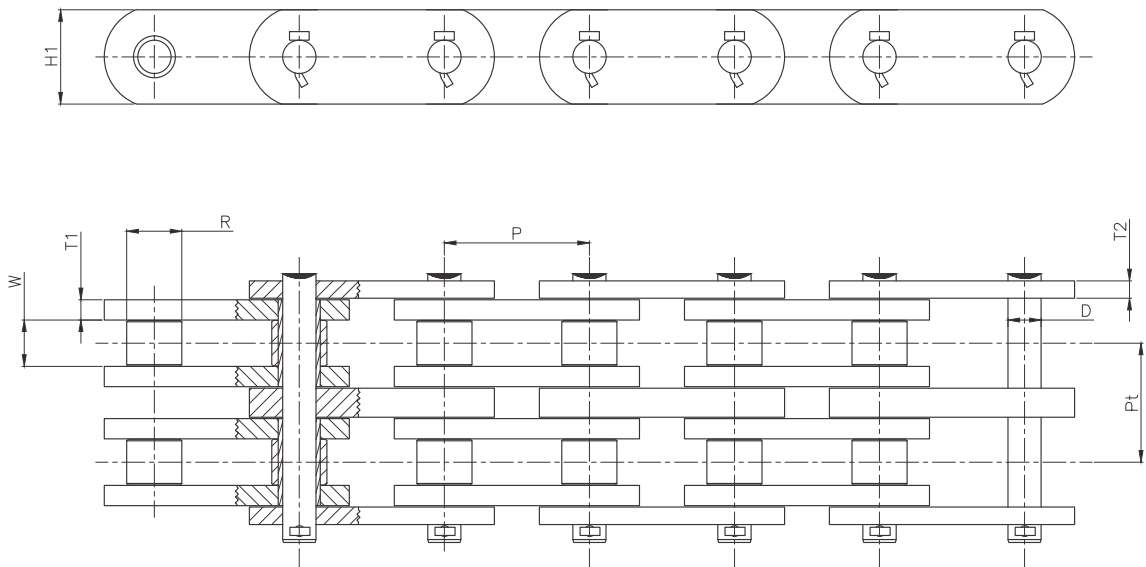


TIDC MODEL: SP\_2212  
 MINIMUM BREAKING LOAD: 125 TONS

## DRAW BENCH CHAINS

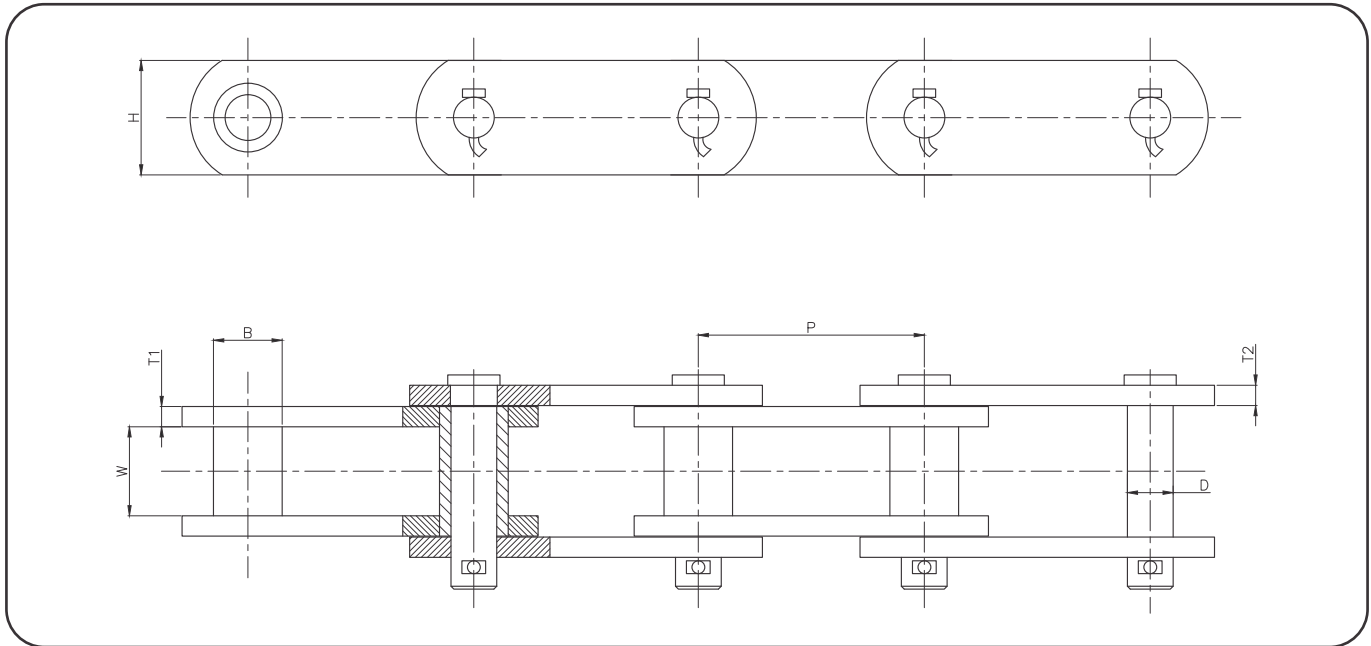


TIDC MODEL: S 07300 01 FGX  
 MINIMUM BREAKING LOAD = 25 TON.



TIDC MODEL NO.	Pitch (P)	WIP (W)	Plate Height (H1)	I/P Thk. (T1)	O/P Thk. (T2)	Roller Diameter (R)	Pin Diameter (D)	Transverse Pitch (Pt)	Minimum Breaking Load, Kgf
SP 1858	88.90	53.34	76.20	14.00	12.00	53.98	34.20	106.60	1,60,000
S 10000 42 DBDX	100.00	32.00	65.00	14.00	12.00	38.00	22.88	83.00	1,60,000

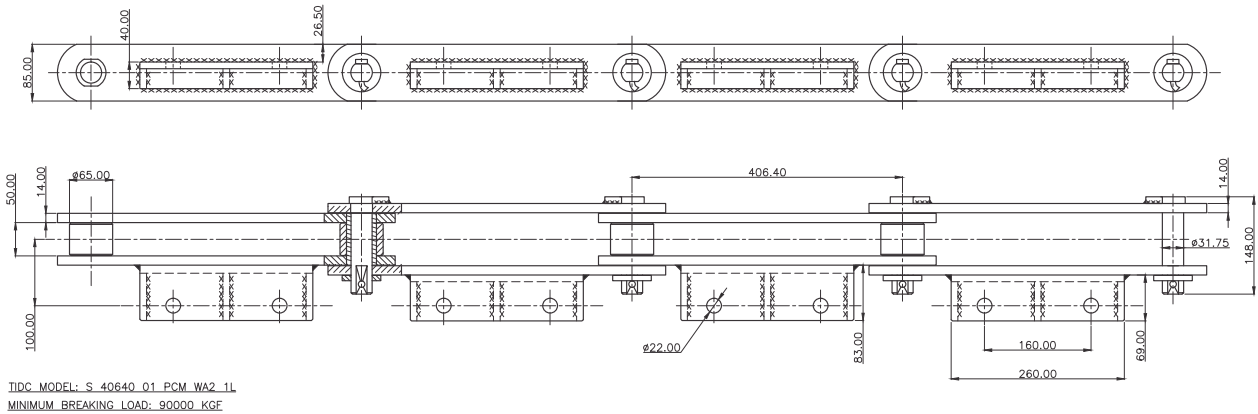
## DRAW BENCH CHAIN



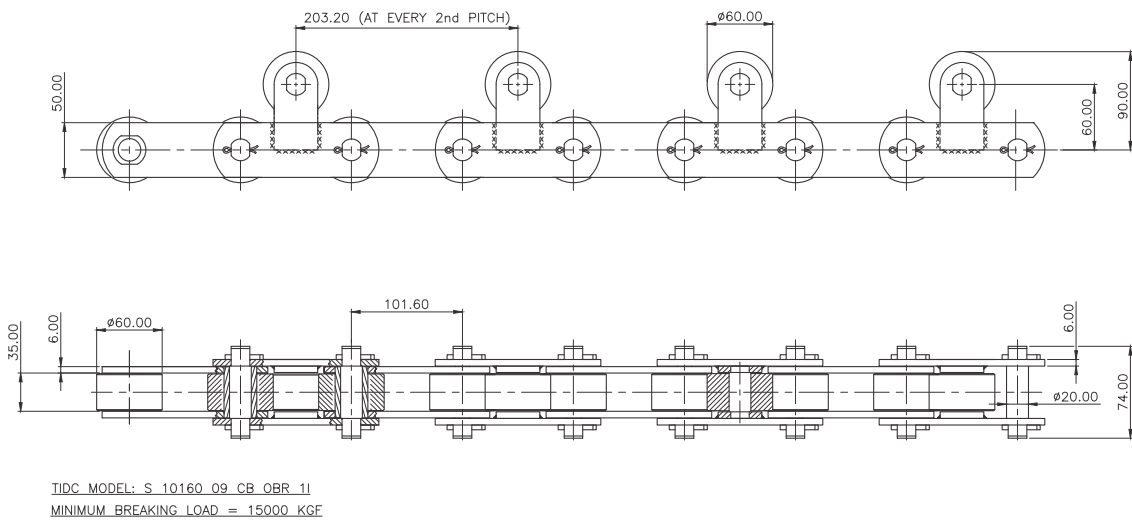
TJDC MODEL NO.	Pitch (P)	WIP (W)	Plate Height (H1)	I/P Thk. (T1)	O/P Thk. (T2)	Bush Diameter (B)	Pin Diameter (D)	Minimum Breaking Load, Kgf
S 15000 02 DBC	150.00	62.00	90.00	20.00	20.00	55.00	38.00	80000
SP2436	177.80	70.00	100.00	12.00	12.00	54.00	36.00	104000
S 17780 04 DB	177.80	70.00	90.00	16.00	16.00	54.00	36.00	104000



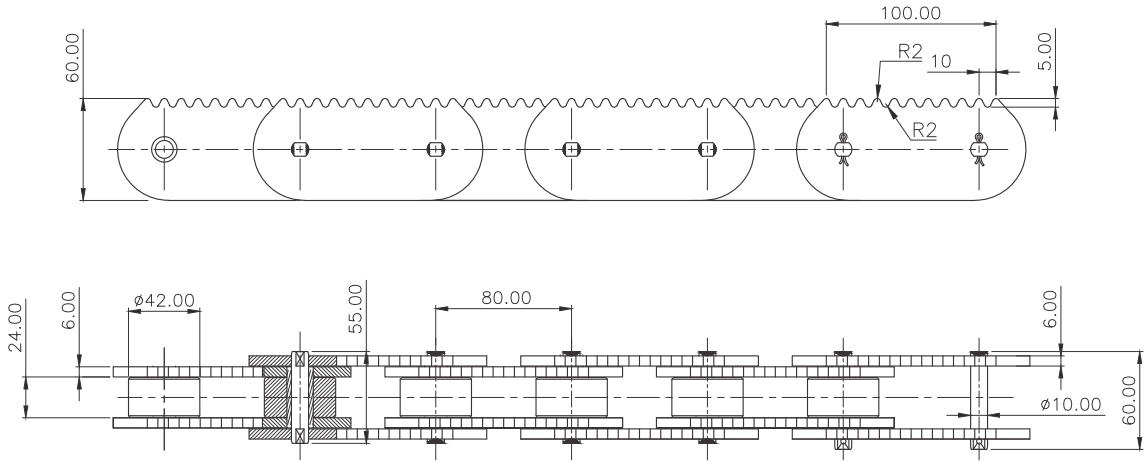
## SCRAPPER CHAIN



## COOLING BED CONVEYOR CHAIN

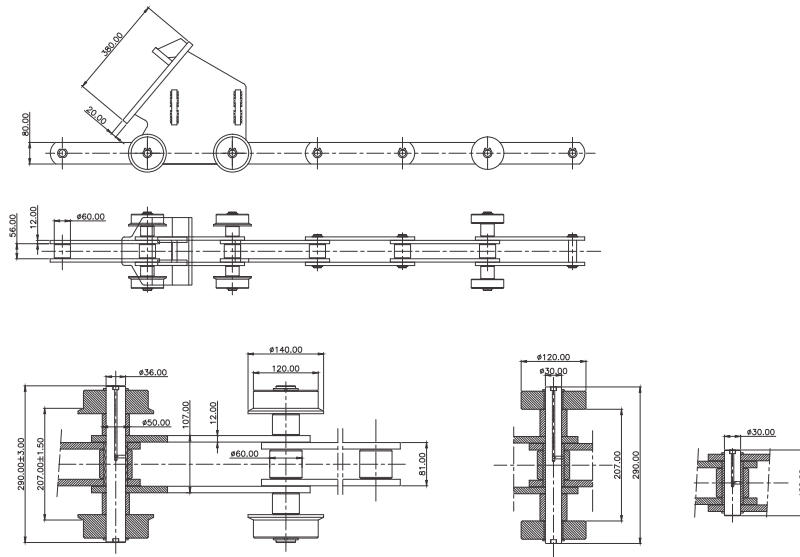


## TMT ROD CONVEYING CHAIN



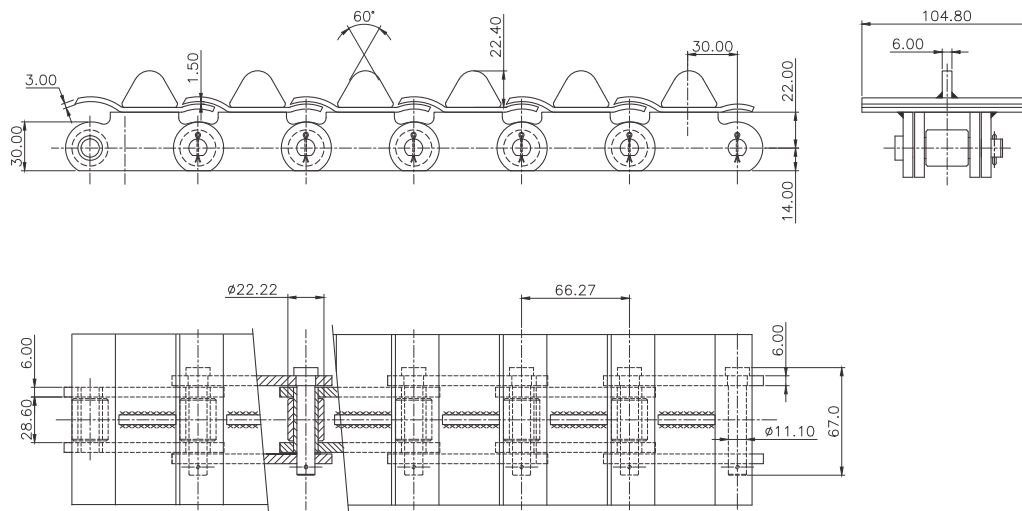
TIDC MODEL: S\_08000\_17\_CC\_ST  
 MINIMUM BREAKING LOAD = 9000 KGF

## PLATE CONVEYING CHAIN



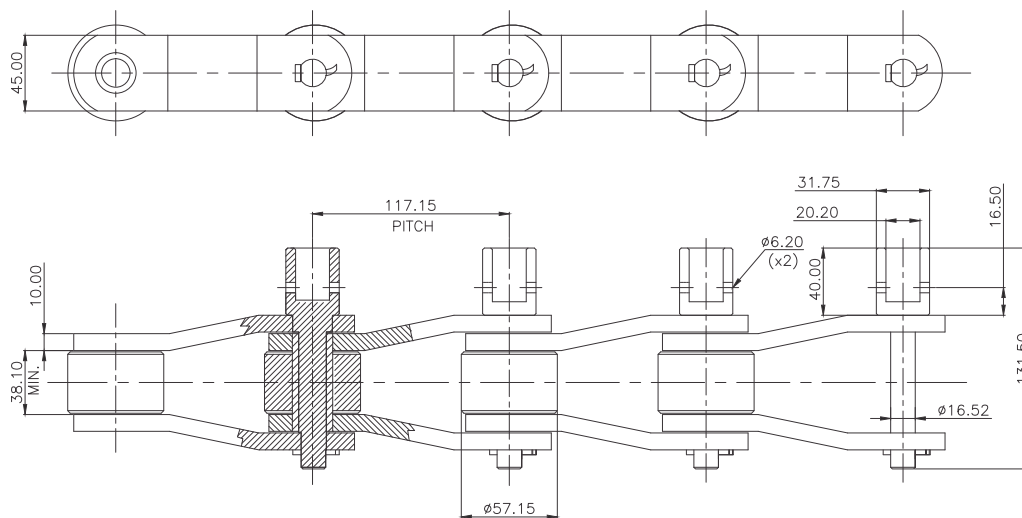
TDC MODEL: S\_31500\_72\_SCC\_25L  
 MINIMUM BREAKING LOAD = 45000 KGF

## COIL CONVEYING CHAIN



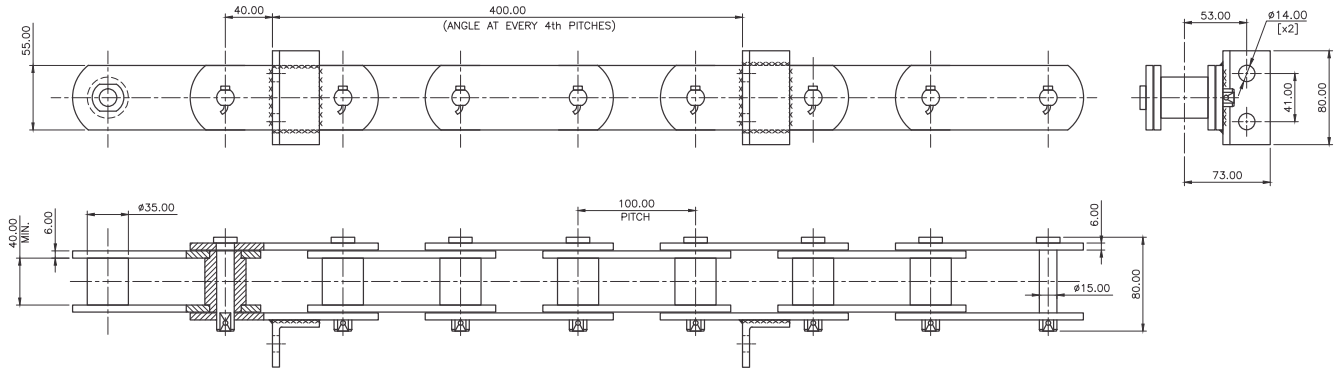
TIDC MODEL: S 06627 01 CC SLT 1L  
 MINIMUM TENSILE STRENGTH = 12,000 KGF.

## TUBE HANDLING CHAIN



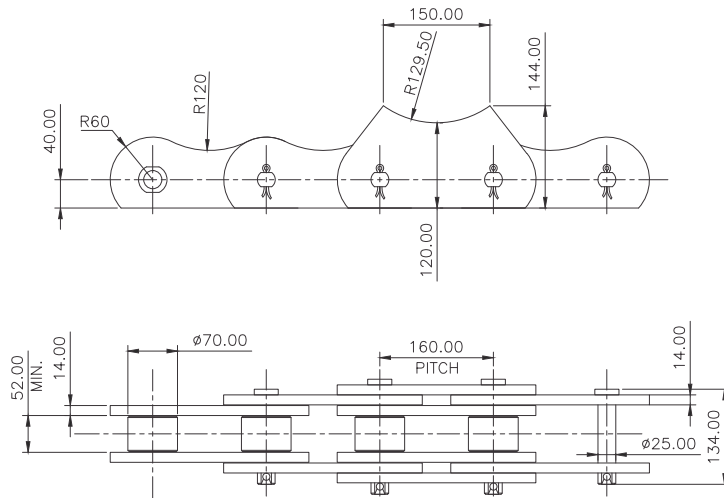
TIDC MODEL: SP 2232  
 MINIMUM BREAKING LOAD: 29000 KGF

## DRAG CHAIN



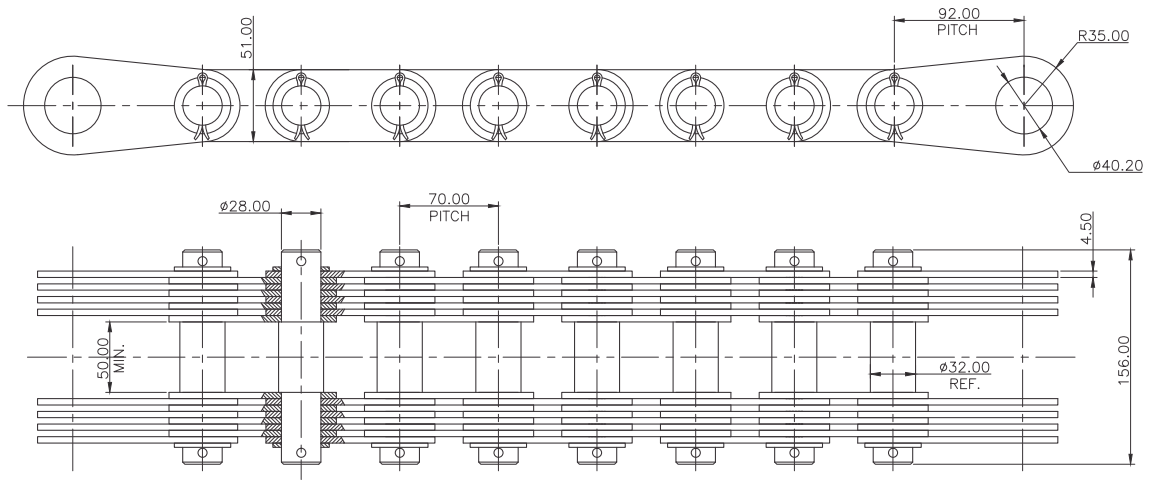
TDC MODEL: S 10000 03 DC WA2 2A  
 MINIMUM BREAKING LOAD = 15000 KGF

## BAR CONVEYING CHAIN



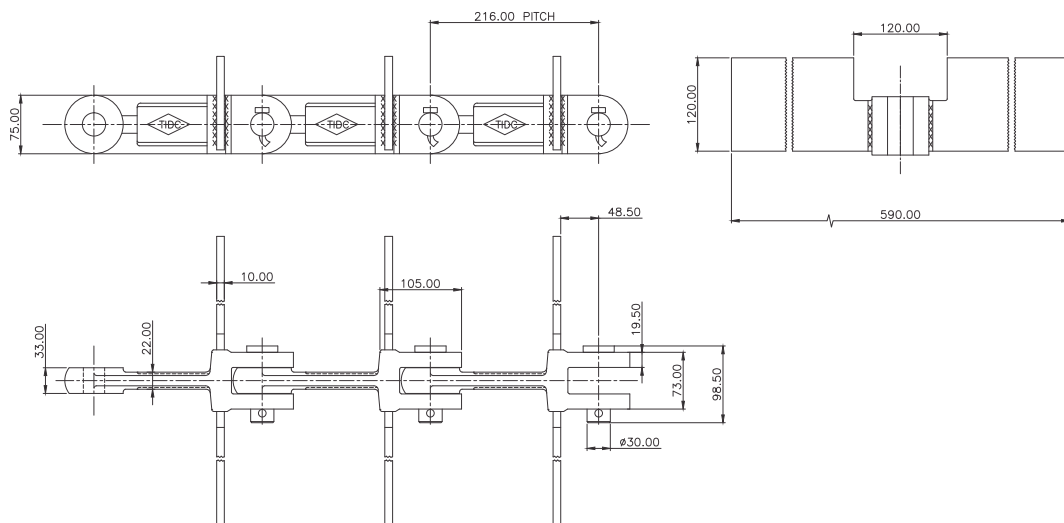
TDC MODEL: S 16000 59 BM0 8L  
 MINIMUM TENSILE STRENGTH = 70000 KGF

## FURNACE DOOR LIFTING CHAIN



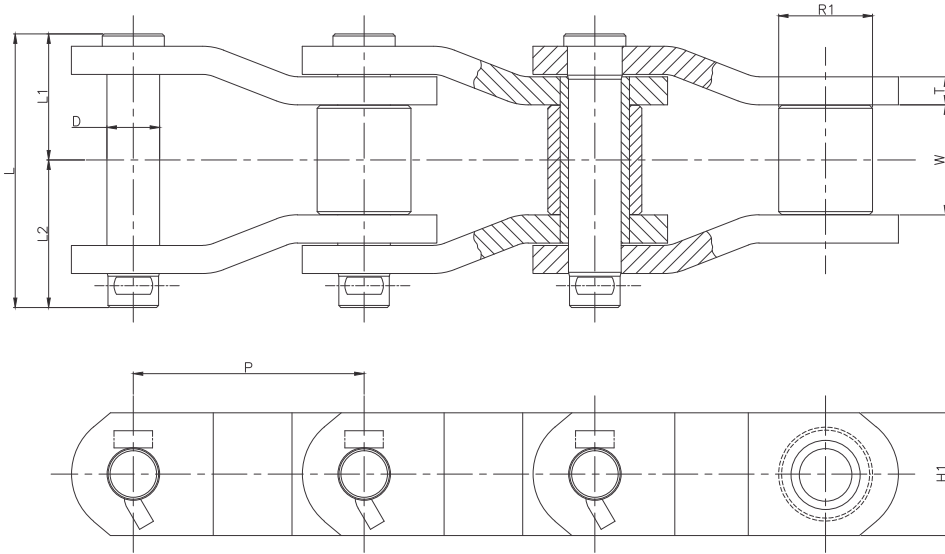
TIDC MODEL: S 07000 07 LL  
 MINIMUM TENSILE STRENGTH = 40,000 KGF

## FORGED DRAG CHAIN



TIDC MODEL: S 21600 01 FG FA 1L  
 MINIMUM BREAKING LOAD = 60000 KGF

## HEAVY DUTY OFFSET SIDE BAR CHAINS



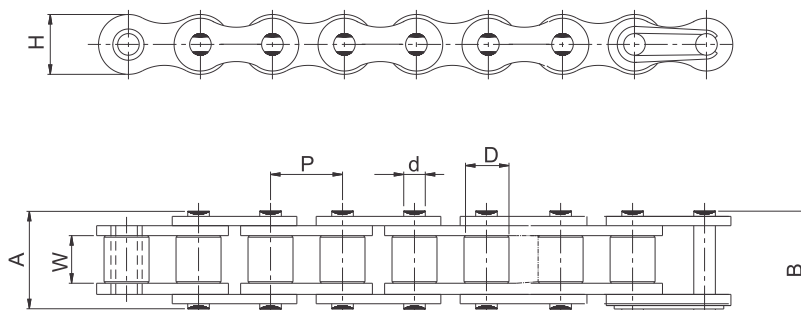
Chain No.	Pitch P	Roller Dia R1	WIP W	Plate Height H1	Plate Thickness T	Average Breaking Load KGF	Minimum Breaking Load KGF	Pin Diameter D1	Pin Length L	L1	L2
DO 3140	44.45	25.40	25.40	43.20	5.6	24000	20400	12.15	62.6	28.55	34.05
DO 3160	50.80	28.58	31.75	49.20	6.4	30600	26010	13.73	72.3	33.40	38.90
DO 1613AK	50.80	28.58	31.50	42.90	8.1	31750	26987.5	15.06	78.0	36.20	41.80
DO 3180	57.15	35.72	36.40	54.00	7.2	36300	30855	17.46	81.0	37.30	43.70
DO 25H	63.50	31.75	38.10	41.50	9.5	39700	33745	15.88	92.5	43.05	49.45
DO 1625	63.50	39.69	38.90	60.30	8.0	43000	36550	19.80	89.7	41.40	48.30
DO 588	66.27	22.23	28.60	28.60	6.4	14700	12495	11.11	67.0	32.00	35.00
DO 568	77.90	41.28	40.10	54.00	9.5	52400	44540	19.05	97.0	45.05	51.95
DO 568-T	77.90	41.28	40.10	54.00	9.5	50000	42500	19.05	97.0	45.05	51.95
DO 3	78.11	31.75	38.10	38.00	8.0	27700	23545	15.88	86.5	40.05	46.45
DO 3H	78.11	31.75	38.10	41.50	9.5	39700	33745	15.88	92.5	43.05	49.45
DO 3125	79.38	41.28	41.20	54.00	9.5	52000	44200	20.32	99.5	45.90	53.60
DO 1616	88.90	44.45	38.60	54.00	12.7	63500	53975	22.23	111.7	51.60	60.10
DO 3924T	99.21	57.15	38.40	82.60	14.3	118000	100300	30.16	121.0	56.85	64.15
DO 5	103.20	44.45	38.60	54.00	12.7	63500	53975	22.23	111.7	51.60	60.10
DO 4	103.20	44.45	49.10	54.00	12.7	63500	53975	22.23	122.2	56.85	65.35
DO 4HF	103.20	44.45	49.20	59.00	16.0	80300	68255	22.23	135.7	63.60	72.10
DO 4HF-T	103.20	44.45	49.20	59.00	16.0	69000	58650	22.23	135.7	63.60	72.10
DO 1245	103.45	45.24	49.20	60.00	14.5	84600	71910	23.80	130.0	60.25	69.75
DO 1245T	103.45	45.24	49.20	60.00	14.5	77000	65450	23.80	130.0	60.25	69.75
DO 1343	103.89	47.63	49.20	70.00	14.5	105000	89250	25.40	132.0	62.25	69.75
DO 1343T	103.89	47.63	49.20	70.00	14.5	86500	73525	25.40	132.0	62.25	69.75
DO 1345	103.89	50.80	49.20	70.00	14.5	105000	89250	25.40	132.0	62.25	69.75
DO 1345T	103.89	50.80	49.20	70.00	14.5	86500	73525	25.40	132.0	62.25	69.75
DO 0635	114.30	57.15	52.40	76.00	14.5	113000	96050	27.90	135.5	64.25	71.25
DO 1634A	127.00	63.50	58.70	76.00	14.5	109000	92650	28.63	141.5	67.40	74.10
DO 1602AA	127.00	63.50	70.00	90.00	16.0	156000	132600	31.75	161.2	77.05	84.15
DO 6042	152.40	76.20	76.30	101.60	19.0	207000	175950	38.10	184.0	86.70	97.30

## STANDARD ROLLER CHAINS

### EUROPEAN SERIES



ISO 606/BS 228/DIN 8187

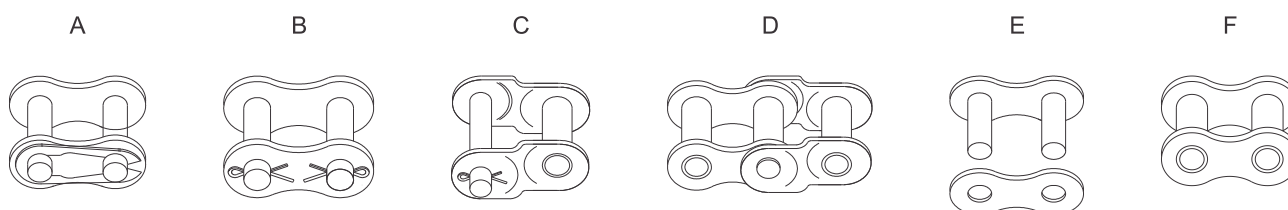


The European series of roller chains are designed for use in mechanical power transmission systems.

### SINGLE STRAND

Intl. Ref No.	ROMBO Chain No.	Pitch (P)	Width between Inner Plates (W) (Min)	Roller Dia (D) (Max)	Bearing Pin Dia (D) (Max)	Plate Height (H) (Max)	Width over Bearing Pin (A) (Max)	Width over Joint Fasteners (B) Max	Projected bearing Area Sq.cm	Avg. Weight Per Meter (Kg)	Tensile Strength (KN) (Min)	Tensile Strength (KN) (Avg)	Spares Availability
04B-1	D04B 01	6.00	2.80	4.00	1.85	5.00	7.40	10.30	0.08	0.12	3.00	3.33	A,B,C,D
05B-1	D05B 01	8.00	3.00	5.00	2.31	7.10	8.60	11.70	0.11	0.18	5.00	5.90	A,B,C,D
06B-1*	D061 01	9.525	5.72	6.35	3.28	8.20	13.50	16.80	0.28	0.40	9.00	10.70	A,B,C,D
08B-1	D083 01	12.70	7.75	8.51	4.45	11.80	17.00	20.90	0.50	0.68	18.00	21.10	A,B,C,D
10B-1	D101 01	15.875	9.65	10.16	5.08	14.70	19.60	23.70	0.67	0.91	22.40	27.45	A,B,C,D
12B-1	D102 01	19.05	11.68	12.07	5.72	16.10	22.70	27.30	0.88	1.12	29.00	32.35	A,B,C,D
16B-1	D160 01	25.40	17.02	15.88	8.27	21.00	36.10	41.50	2.07	2.59	60.00	70.60	A,B,C,D
20B-1	D200 01	31.75	19.56	19.05	10.19	26.40	43.20	49.30	2.91	3.60	95.00	109.85	A,B,C,D
24B-1	D240 01	38.10	25.40	25.40	14.63	33.40	53.40	60.00	5.49	6.85	160.00	179.00	B,C,D
28B-1	D280 01	44.45	30.99	27.94	15.90	37.00	65.10	72.50	7.26	8.56	200.00	226.00	B,C,D
32B-1	D320 01	50.80	30.99	29.21	17.81	42.20	67.40	75.30	8.05	9.49	250.00	272.80	B,C,D
40B-1	D400 01	63.50	38.10	39.37	22.89	52.90	82.60	92.60	12.61	15.53	355.00	390.50	B,C,D
48B-1	D480 01	76.20	45.72	48.26	29.24	63.80	99.10	109.10	20.40	24.45	560.00	602.00	B,C,D

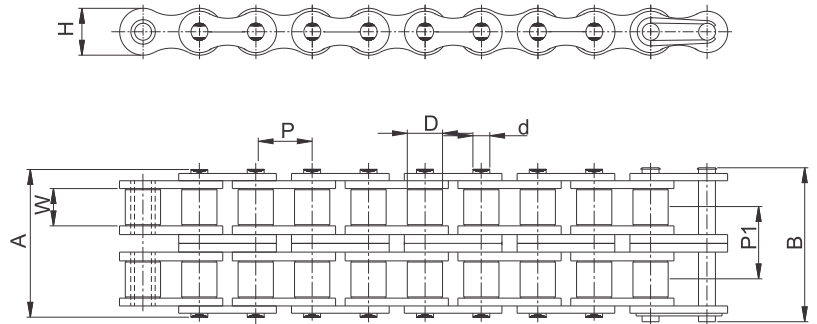
\* Straight Side Plates



Note : Spares E & F are available for all models

## STANDARD ROLLER CHAINS

### EUROPEAN SERIES



ISO 606/BS 228/DIN 8187

### DOUBLE STRAND

Intl. Ref. No.	ROMBO Chain No.	Pitch (P)	Width between Inner Plates (W) (Min)	Roller Dia (D) (Max)	Bearing Pin Dia (d) (Max)	Plate Height (H) (Max)	Width Over Bearing Pin (A) (Max)	Width Over Joint Fasteners (B) (Max)	Transverse Pitch (P1)	Projected Bearing Area (Sq.cm)	Avg. Weight Per Metre (Kg)	Tensile Strength (KN) (Min)	Tensile Strength (KN) (Avg.)	Spares Availability
05B-2	D05B 02	8.00	3.00	5.00	2.31	7.10	14.30	17.40	5.64	0.22	0.32	7.80	8.55	A,B,C,D
06B-2*	D061 02	9.525	5.72	6.35	3.28	8.20	23.80	27.10	10.24	0.56	0.76	16.90	19.25	A,B,C,D
08B-2	D083 02	12.70	7.75	8.51	4.45	11.80	31.00	34.90	13.92	1.00	1.31	32.00	38.05	A,B,C,D
10B-2	D101 02	15.875	9.65	10.16	5.08	14.70	36.20	40.30	16.59	1.34	1.79	44.50	57.30	A,B,C,D
12B-2	D120 02	19.05	11.68	12.07	5.72	16.10	42.20	46.80	19.46	1.76	2.22	57.80	65.70	A,B,C,D
16B-2	D160 02	25.40	17.02	15.88	8.27	21.00	68.00	73.40	31.88	4.14	5.03	106.00	137.55	A,B,C,D
20B-2	D200 02	31.75	19.56	19.05	10.19	26.40	79.00	85.10	36.45	5.82	7.33	170.00	210.00	A,B,C,D
24B-2	D240 02	38.10	25.40	25.40	14.63	33.40	101.00	107.60	48.36	10.98	13.50	280.00	322.50	B,C,D
28B-2	D280 02	44.45	30.99	27.94	15.90	37.00	124.00	131.40	59.56	14.52	16.96	360.00	412.60	B,C,D
32B-2	D320 02	50.80	30.99	29.21	17.81	42.20	126.00	133.90	58.55	16.10	18.74	450.00	510.80	B,C,D
40B-2	D400 02	63.50	38.10	39.37	22.89	52.90	154.00	164.00	72.29	25.23	30.72	630.00	708.10	B,C,D
48B-2	D480 02	76.20	45.72	48.26	29.24	63.80	190.00	200.00	91.21	40.81	48.54	1000.00	1100.00	B,C,D

\* Straight Side Plates

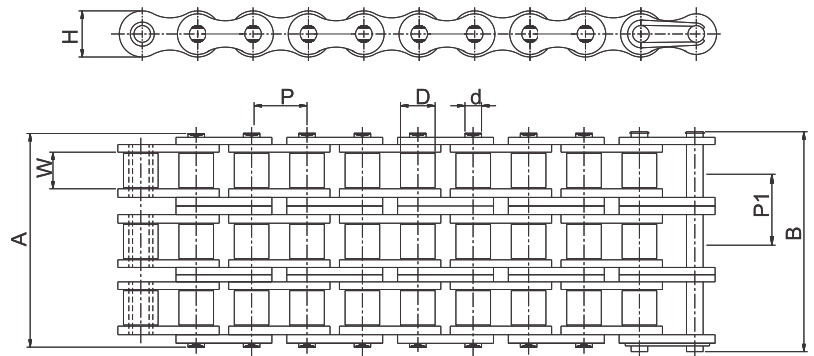
Note : Spares E & F are available for all models



## STANDARD ROLLER CHAINS



ISO 606/BS 228/DIN 8187



### TRIPLE STRAND

Intl. Ref No.	ROMBO Chain No.	Pitch (P)	Width between Inner Plates (W) (Min)	Roller Dia (D) (Max)	Bearing Pin Dia (D) (Max)	Plate Height (H) (Max)	Width over Bearing Pin (A) (Max)	Width over Joint Fasteners (B) Max	Transverse Pitch (P1)	Projected bearing Area Sq.cm	Avg. Weight Per Meter (Kg)	Tensile Strength (KN) (Min)	Tensile Strength (KN) (Avg)	Spares Availability
05B-3	D05B 03	8.00	3.00	5.00	2.31	7.10	19.90	23.00	5.64	0.33	0.50	11.10	12.20	A,B,C,D
06B-3*	D061 03	9.525	5.72	6.35	3.28	8.20	34.00	37.30	10.24	0.84	1.12	24.90	27.70	A,B,C,D
08B-3*	D083 03	12.70	7.75	8.51	4.45	11.80	44.90	48.80	13.92	1.50	1.94	47.50	56.00	A,B,C,D
10B-3	D101 03	15.875	9.65	10.16	5.08	14.70	52.80	56.90	16.59	2.01	2.68	66.70	83.35	A,B,C,D
12B-3	D120 03	19.05	11.68	12.07	5.72	16.10	61.70	66.30	19.46	2.64	3.32	86.70	101.55	A,B,C,D
16B-3	D160 03	25.40	17.02	15.88	8.27	21.00	99.90	105.30	31.88	6.21	7.65	160.00	202.80	A,B,C,D
20B-3	D200 03	31.75	19.56	19.05	10.19	26.40	116.00	122.10	36.45	8.73	10.96	250.00	306.55	A,B,C,D
24B-3	D240 03	38.10	25.40	25.40	14.63	33.40	150.00	156.60	48.36	16.47	20.20	425.00	490.60	B,C,D
28B-3	D280 03	44.45	30.99	27.94	15.90	37.00	184.00	191.40	59.56	21.78	25.38	530.00	625.95	B,C,D
32B-3	D320 03	50.80	30.99	29.21	17.81	42.20	184.00	191.90	58.55	24.15	28.04	670.00	775.00	B,C,D
40B-3	D400 03	63.50	38.10	39.37	22.89	52.90	227.00	237.00	72.29	37.85	45.97	950.00	1088.90	B,C,D
40B-3	D480 03	76.20	45.72	48.26	29.24	63.80	281.00	291.00	91.21	61.22	72.67	1500.00	1648.10	B,C,D

\* Straight Side Plates

Note : Spares E & F are available for all models



# CERTIFICATE

Management system as per  
**ISO 14001 : 2004**

In accordance with TÜV NORD CERT procedures, it is hereby certified that

**TIDC INDIA**  
(UNIT OF TUBE INVESTMENT OF INDIA LIMITED)  
Survey No. 264, 268/1, 268/2A, 268/2B, 269/1 & 2,  
CTH Road, Ambattur, Chennai- 600 053,  
Tamilnadu, India



applies a management system in line with the above standard for the following scope

**Manufacture of Automotive, Industrial, Agricultural & Cam Chains, Engineering Class Chain, Fine Blanking components & Accessories**

Certificate Registration No. 44 104 114274-E3  
Audit Report No. 2.5-1490/1999

Valid until 17.07.2014

Certification Body  
at TÜV NORD CERT GmbH

Mumbai, 18.07.2011

This certification was conducted in accordance with the TÜV NORD CERT auditing and certification procedures and is subject to regular surveillance audits.  
TÜV NORD CERT GmbH Langemarkstrasse 20 45141Essen [www.tuv-nord-cert.com](http://www.tuv-nord-cert.com)



TGA-2M407-06-00

# CERTIFICATE

Management system as per  
**BS OHSAS 18001 : 2007**

In accordance with TÜV NORD CERT procedures, it is hereby certified that

**TIDC INDIA**  
(UNIT OF TUBE INVESTMENT OF INDIA LIMITED)  
Survey No. 264, 268/1, 268/2A, 268/2B, 269/1 & 2,  
CTH Road, Ambattur, Chennai-600 053, Tamilnadu,  
India



with the location  
TIDC INDIA, Andhra Pradesh, India  
TIDC INDIA, Uttarakhand, India

applies a management system in line with the above standard for the following scope

**Manufacture of Automotive, Industrial, Agricultural & Cam Chains, Engineering Class Chain, Fine Blanking components & Accessories**

Certificate Registration No. 44 116 111314  
Audit Report No. 3508 2944

Valid until 2014.07.06

Certification Body  
at TÜV NORD CERT GmbH

Essen, 2011.07.07

This certification was conducted in accordance with the TÜV NORD CERT auditing and certification procedures and is subject to regular surveillance audits.

TÜV NORD CERT GmbH Langemarkstrasse 20 45141Essen [www.tuv-nord-cert.com](http://www.tuv-nord-cert.com)



TGA-2M407-06-04

# CERTIFICATE

Management system as per  
**DIN EN ISO 9001 : 2008**

In accordance with TÜV NORD CERT procedures, it is hereby certified that

**TIDC INDIA**  
Plot No. 11, Ambattur,  
Chennai - 600 053,  
India



and other locations as per Annexure 2

applies a management system in line with the above standard for the following scope

**Design, Manufacture and Supply of Standard Roller Chains, Bush Chains, Leaf Chains, Special Chains, Sprockets, Road Chains, Agricultural Chains, Conveyor Chains, Engineering Class Chains, Sprockets and Accessories, Manufacture and supply of Fine Blanking Parts (Components and Sub-Assemblies)**

Certificate Registration No. 44 104 114274-E3  
Audit Report No. 2.5-1490/1999

Valid until 17.07.2014

Certification Body  
at TÜV NORD CERT GmbH

Mumbai, 18.07.2011

This certification was conducted in accordance with the TÜV NORD CERT auditing and certification procedures and is subject to regular surveillance audits.

TÜV NORD CERT GmbH Langemarkstrasse 20 45141Essen [www.tuv-nord-cert.com](http://www.tuv-nord-cert.com)



TGA-2M407-06-00

- ♦ All dimensions indicated are in mm.
- ♦ All information contained in this catalogue is subject to change after publication.
- ♦ While all reasonable care has been taken in compiling the information contained in this catalogue, no responsibility is accepted for printing errors.



# TIDC INDIA

## Unit of Tube Investments of India Ltd.

### FACTORY / MARKETING HEAD OFFICE :

Post Bag No.11, Ambattur, Chennai - 600 053.  
Tel. : 044 - 4223 5508 / 509 Fax : 044 - 4223 5556  
Email : industrialchains@tii.murugappa.com  
[www.tidcindia.in](http://www.tidcindia.in)

### **NORTH**

#### **TIDC INDIA**

2nd Floor, Jeevan Deep Building,  
10, Parliament Street,  
New Delhi - 110 001.  
Tel. : 011 - 4150 2244

### **SOUTH**

#### **TIDC INDIA**

Post Bag No. 11, Ambattur,  
Chennai - 600 053.  
Tel. : 044 - 4223 5500

### **EAST**

#### **TIDC INDIA**

Chabbildas Towers, 2nd Floor,  
6A, MiddleTon Street,  
Kolkatta - 700 071.  
Tel. : 033 - 2281 0289

### **WEST**

#### **TIDC INDIA**

302-A, M.P.J. Chambers,  
Wakadewadi, Opp. to Centuri TVS,  
Pune - 411 003.  
Tel. : 020 - 2581 3170